



# STATEC BINDER

highly efficient bagging and palletizing solutions

## system-F

*Form, fill and seal packaging machine*



up to

**900**

bags per hour



- ✓ Vertical form, fill & seal packaging machine from flat film
- ✓ Produces pillow and/or gusseted bags
- ✓ Compact design
- ✓ 5 - 50 kg filling weights
- ✓ CE certified
- ✓ High energy efficiency



### *The Solution*

The Model System-F concept perfectly meets the aforementioned requirements. The continuous development of structural components, tested over many years, combined with the most up-to-date technology is the strength of the System-F machine. The user enjoys maximum flexibility due to the integration of the most modern electronic devices with high-precision mechanical components.

### *The Flexibility*

Specific market conditions typically require different package sizes. Due to a

changeable formatting set, the System-F machine is able to meet these requirements. A rotating magazine, which is installed immediately adjacent to the machine, can hold several different sizes of formatting sets. This allows quick and easy changing of the formatting set by a single operator without the use of any tools. It thus takes only a few minutes to change production or format.

### *The Technology*

Soft-running ball bearings support the roll of film as the friction drive unrolls film from the reel. The splicing device immediately following the roll of film not only enables

the film to be changed, but also minimizes the time required to change rolls.

The film is pulled over a forming shoulder coated with a low-friction surface material and formed into a tube. One (1) continuously heated sealing bar makes the vertical overlapping seal. Accurate temperature and pressure control ensure uniform seal quality.

A built-in knife separates a package already filled from the tube. Two (2) electronically-controlled, continuously heated sealing bars seal the finished package and at the same time form the bottom seal for the next package. Intensive air-cooling permits the shortest possible cycle times.

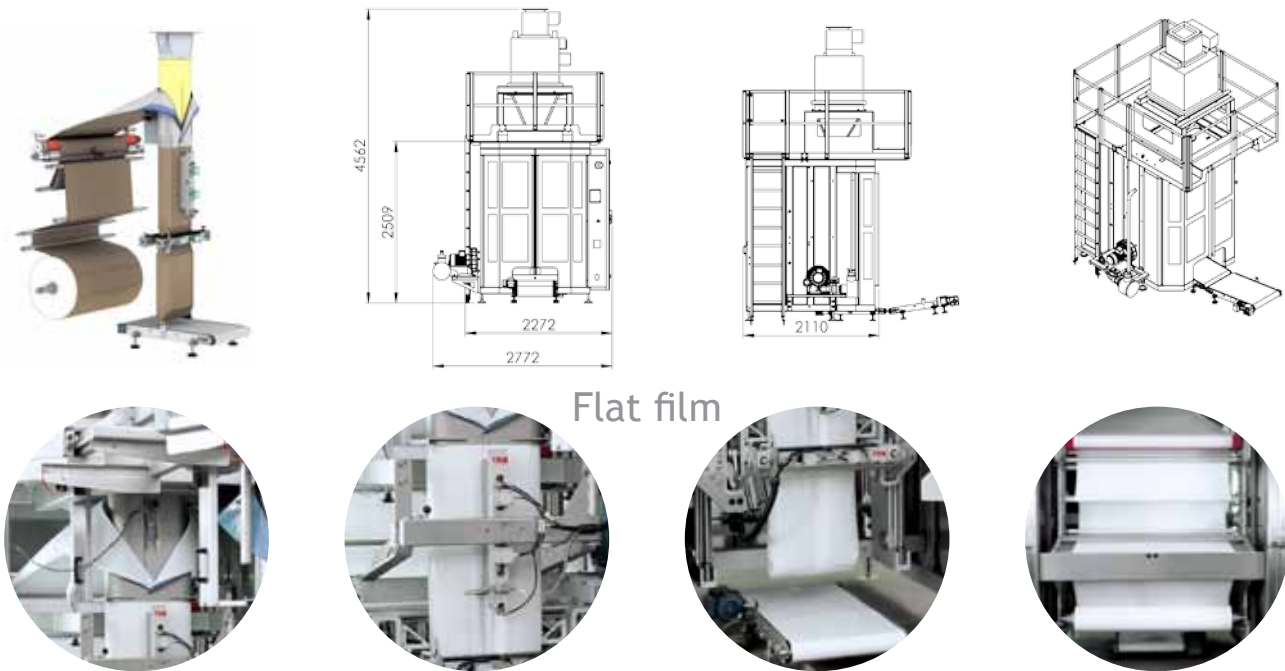


# STATEC BINDER

highly efficient bagging and palletizing solutions

## system-F

*Form, fill and seal packaging machine*



Flat film

System-F performance data	Performance	Thickness of film
50 kg	up to 450 packages per hour	140 - 200 µm
25 kg	up to 650 packages per hour	120 - 160 µm
20 kg	up to 700 packages per hour	100 - 160 µm
10 kg	up to 850 packages per hour	60 - 120 µm
5 kg	up to 900 packages per hour	60 - 100 µm
<b>Mechanical data:</b>		
Max. length x width x height	2000 x 2000 x 2500	
Total weight	1650 kg	
Electronical connection	6,5 kW	
<b>Package and film data:</b>		
Film material	Thermoplastics and compound materials	
Film thickness	60 - 200 µm	
Max. film width	1280 mm	
Max. diameter of roll	600 mm	
Size range	4 - 80 liters or 5 - 50 kg	
Package types	Pillow and gusseted (carrying handle optional)	