



STATEC BINDER

highly efficient bagging and palletizing solutions

principal-R

High-quality robot palletizer



up to

1400

units per hour



- ✓ Minimal space requirement
- ✓ Extremely quiet operation
- ✓ Best stacking quality
- ✓ Overlapping palletizing
- ✓ CE certified
- ✓ High energy efficiency



STATEC BINDER offers a unique linear track design unlike any other articulated robot in the industry. This mechanical design contributes to decrease power consumption by 50% and in some cases by 200% while achieving up to 1400 cycles per hour. The articulated arm movement is driven by the combination of a servo motor, timing belt, recirculation linear guide bearings, and two hardened steel ball screws. By using a 5 to 1 (Z-axis) or 6 to 1 (R-axis) movement ratio, the robot can operate faster and more efficient than standard industrial robots.

The high-speed robot is a compilation of years of research and development. This technologically advanced robot offers capacity rates up to 24 cycles per minute and a payload weight of 200 kg. These points plus other advantages place this robot as the premier solution to a highly competitive market place.

This new generation robot provides and ultra quiet operation, improved efficiencies and maximum flexibility that accompany "high-speed" palletizing technology.

OPTIONS:

- Cold environment upgrade
- Harsh environment upgrade
- Memory program expansion
- Auto reject function
- Simultaneous multi size handling
- Slip-sheet placement
- Pallet placement
- Different types of grippers

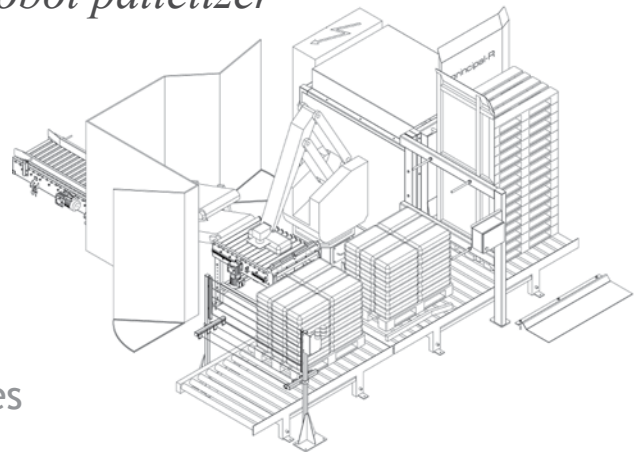


STATEC BINDER

highly efficient bagging and palletizing solutions

principal-R

High-quality robot palletizer



Bags and boxes



Technical Data	principal-R
Mechanism type:	Articulated Robot
Action mode:	Cylindrical
Handling capacity:	90 -200 kg (including Gripper)
Palletizing capacity:	up to 1400 Cycles/hour
Degree of freedom:	Standard 4 axes (up to 5 axes)
Operation space Z-axis:	up to 2400 mm
Operation space R-axis:	up to 1600 mm
Operation space θ -axis:	330°
α - Hand rotation:	330°
Hand gripper:	Clamp, Fork, Vacuum and custom designed
Memory:	30 programmable patterns (up to 400 optional)
Power consumption:	up to 6,5 KVA
Main body weight:	up to 1.150 kg